



General VRLA Battery

6FM65G (12V65Ah)

The LONGWAY General Series middle batteries (more than 24Ah) are designed and developed using AGM technology and valve controlled sealing technology. They can meet conventional performance requirements, with a designed float charging life of over 8 years. The valve controlled non-spillable structure design allows safe use in any direction and is certified by sea and air freight. The battery performance also meets international standards. such as IEC60896-2012, UL1989.etc.



General Feature

- High reliability, safe without leakage, can be used in any position
- Excellent recovery performance after deep discharge
- Environmentally friendly products.
Meet EU battery directive RoHS and REACH standards
- Maintenance free
- Widely applicable temperature range, can be used at -20°C~60°C
- Low self-discharge rate. The average monthly self-discharge rate of the battery is less than 2.5%
(It is recommended to recharge after storage for 6 months or before use)

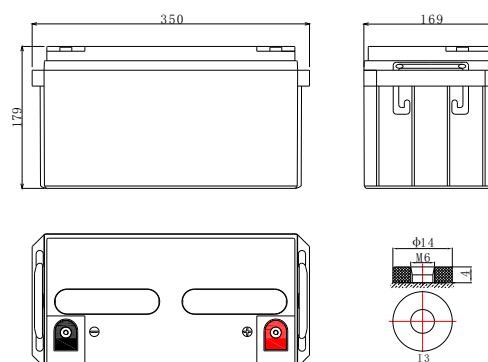
Applications

- Emergency lights; Alarm system
- Electrical test equipment; communication Equipment
- Uninterruptible power supply; Fire & Security
- Electric toys; Control instruments
- Portable Movie & Video lights
- Electric tools; Solar system
- Robots and control machines and other

Performance

Nominal Voltage	12V (6cells)
Capacity	@25°C
10hr Rate (6.50A)	65.0Ah @ to 1.75V/cell
5hr Rate (11.0A)	55.0Ah @ to 1.70V/cell
3hr Rate (16.2A)	48.7Ah @ to 1.60V/cell
Weight	Approx (20.5±3%)kg (45.19lbs)
Internal Resistance	Approx 5.50mΩ fully charged @25°C
Maximum Discharge Current	400A(3sec)
Terminal	I3-2
Operating Temperature Range	Discharge:-20°C~60°C; Charge:0°C~50°C Storage:-20°C~40°C
Container Material	ABS(UL94 HB)/UL94-V0 Optional

Dimensions



Length	350mm	13.8inch
Width	169mm	6.65inch
Height	179mm	7.05inch
Total height	179mm	7.05inch

Battery use

Cycle use

1. Limit the initial charging current to no more than 16.25A
2. Keep charging voltage at 14.4-15.0V/unit.and continue charging at least 3 hours after the charging current reduces to 1.3A to ensure full charge
3. The compensation coefficient of charging voltage and temperature is -5mv/cell/°C

Float use

1. Limit the initial charging current to no more than 16.25A
2. Keep charging voltage at 13.5-13.8V/unit.When the voltage reaches the constant voltage,the current gradually decreases until the battery is fully charged and continues to charge
3. The compensation coefficient of charging voltage and temperature is -3mv/cell/°C



Kaiying Power Supply & Electrical Equip Co., Ltd Email: sales@longwaybattery.com
 Tel:0595-68782266 Fax:0595-68782222 Website: <http://www.longwaybattery.com>
 Add: Kaiying Industrial Area, Chengxiang Town, Anxi, Quanzhou, Fujian Province, China
 KY-IOP-LW12-65B B0. May 2023

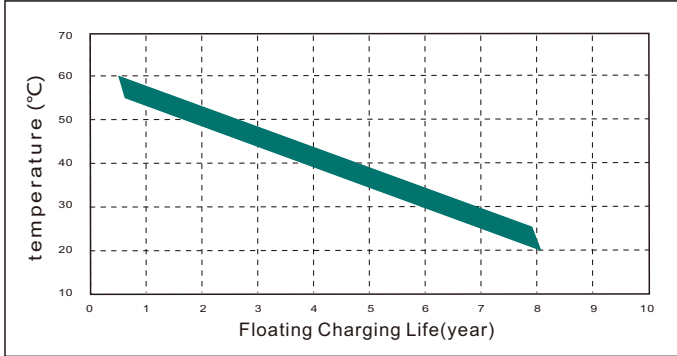
Note: This information usually describes use only and is not intended to make any warranties or promises regarding the battery. Battery specifications and battery design are subject to change without prior notice. Please contact LONGWAY Battery for the latest information.



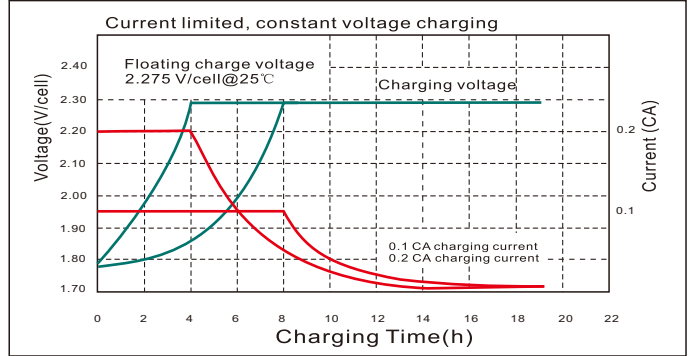
General VRLA Battery

6FM65G (12V65Ah)

Floating Charging Life VS Temperature



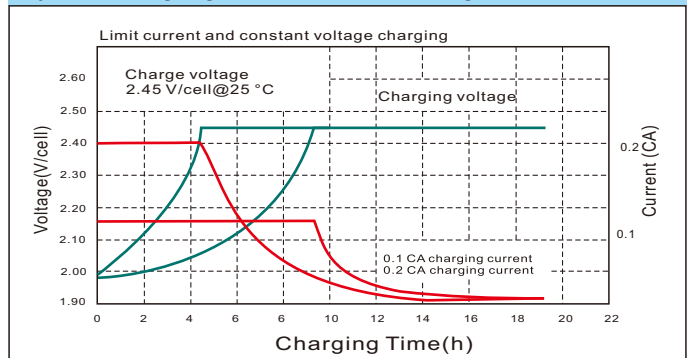
Floating Charging Characteristics Diagram



Cycle Life



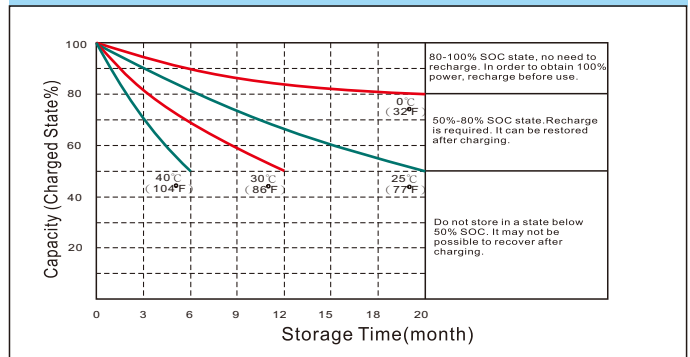
Cycle charging characteristic diagram



Temperature and capacity characteristics



Self-discharge characteristic



Constant current characteristics(A,25°C)

F.V/TIME	5min	10min	15min	30min	60min	90min	2h	3h	5h	10h	20h
9.6	176	150	114	67.0	36.4	22.4	16.5	11.3	7.59	6.60	3.40
9.9	170	145	111	65.6	35.7	22.3	16.4	11.3	7.55	6.57	3.38
10.2	167	142	109	64.3	34.9	22.1	16.3	11.2	7.52	6.54	3.37
10.5	157	138	106	62.3	33.9	21.9	16.1	11.1	7.50	6.52	3.36
10.8	144	134	104	61.1	33.2	21.7	15.9	11.0	7.48	6.50	3.35

Constant power discharge characteristic (W,25°C)

F.V/TIME	5min	10min	15min	30min	60min	90min	2h	3h	5h	10h	20h
9.6	1895	1633	1297	751.2	415.0	259.8	194.0	134.1	91.05	78.77	40.77
9.9	1839	1584	1224	736.2	406.7	258.5	193.0	133.5	90.60	78.39	40.57
10.2	1801	1551	1199	721.1	398.4	255.9	191.1	132.1	90.24	78.08	40.41
10.5	1696	1502	1162	698.6	385.9	253.4	189.2	130.8	89.97	77.84	40.29
10.8	1554	1458	1139	685.1	378.4	250.8	187.3	129.5	89.70	77.61	40.17



Kaiying Power Supply & Electrical Equip Co., Ltd Email: sales@longwaybattery.com
 Tel:0595-68782266 Fax:0595-68782222 Website: <http://www.longwaybattery.com>
 Add: Kaiying Industrial Area, Chengxiang Town, Anxi, Quanzhou, Fujian Province, China
 KY-IOP-LW12-65B B0. May 2023

Note: This information usually describes use only and is not intended to make any warranties or promises regarding the battery. Battery specifications and battery design are subject to change without prior notice. Please contact LONGWAY Battery for the latest information.