



High Rate Series Battery

6FM80G (12V280W/Cell/1.67V/15Min)

LONG WAY® High Rate battery 6FM80G is design for high rate discharge. This series is a high energy, high intensity, and high quality output electrical energy product series, With 20% more energy density than same volume products at high rate discharge characteristics.



Features

- Maintenance free (no water topping-up required)
- No free acid (Non-spillable battery)
- Can be used in any orientation (excluding used inverted)
- Low Pressure Venting System
- Heavy Duty Grids
- The battery is designed for high rate usage
- Long Service Life
- Low Self Discharge
- Wide Operating Temperature Range

Applications

- UPS power supplies
- Emergency lighting equipment
- Precision instrument backup power
- Fire alarms and security systems
- Communications and electric equipment
- Office computers, processors and other office automation equipment
- Emergency power supplies in power generation plants and substations
- Telecommunications
- Various telemeter equipment

General: Design for standby power applications

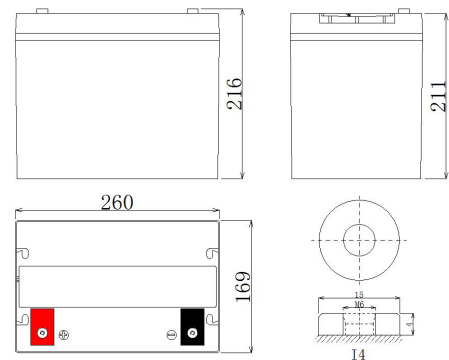
Design Life: Up to 5 years in standby service at 25°C	Float Charging Voltage: 13.5~13.8 VDC/Unit at 25°C
Operating Temperature Range: Nominal operating temperature: 25°C Discharge: -15°C~50°C Charge : -15°C~40°C Storage: -15°C~40°C	Equalization Charging Voltage: 14.4~15.0 VDC/Unit at 25°C Self Discharge: Less than 10% after 90 days, can be stored up to 6 months at 25°C; Fully recharge is required before usage



ISO9001: 2015
ISO14001:2015
ISO45001:2018

Specifications: Designed according with the IEC61056-1/2:2012

Nominal Voltage	12 V
Nominal Capacity	280W@5 min-rate to 1.67V per cell 25°C 80.0Ah@20hr,25°C
Weight	Approx.24.0 ± 3% kg
Internal Resistance	Approx.5.5mΩ @ full charged 25°C
Terminal	I4
Max. Discharge Current	400A (3sec.)
Max. Charge Current	12A
Container Material	Standard: ABS (UL94-HB) Optional: Flame Retardant ABS(UL94-V0)



Constant Current Discharge Characteristics (A, 25°C)

F.V/TIME	3min	5min	10min	15min	20min	30min	60min	90min
9.60	510.0	422.3	201.0	153.8	115.5	78.75	45.00	31.13
10.0	497.3	411.7	196.0	150.4	113.0	76.78	44.55	30.81
10.2	484.5	401.1	188.9	143.8	108.0	75.21	43.20	30.04
10.5	464.1	385.1	183.9	141.5	106.8	73.24	41.85	29.88

Constant Power Discharge Characteristics (Watt, 25°C)

F.V/TIME	5min	8min	10min	15min	20min	30min	60min	90min
9.60	5523	4586	2219	1693	1,272	874.1	521.1	362.3
10.0	5430	4508	2211	1696	1,261	866.1	515.9	357.7
10.2	5349	4429	2131	1622	1,218	852.8	500.3	348.7
10.5	5179	4298	2075	1596	1,205	839.3	484.6	346.9

Kaiying Power Supply & Electrical Equip Co.,Ltd
Tel: 0595-68782266 Fax: 0595-68782222

Add:Laogang Industrial Area,Chengxiang Town ,Anxi,Quanzhou, Fujian Province ,China
Website: <http://www.longwaybattery.com> Email:sales@longwaybattery.com

KY-IOP-HR12-280W A0. February2023

NOTE: This information is generally descriptive only and is not intended to make or imply any representation, guarantee or warranty with respect to any cells and batteries. Cell and battery designs/specifications are subject to modification without notice. Contact Long Way for the latest information.