



# High Rate Series Battery

## 6FM9 (12V580W/Cell/1.67V/5Min)

LONG WAY® High Rate battery 6FM9 is design for high rate discharge. This series is a high energy, high intensity, and high quality output electrical energy product series, With 20% more energy density than same volume products at high rate discharge characteristics.



### Features

- Maintenance free (no water topping-up required)
- No free acid (Non-spillable battery)
- Can be used in any orientation (excluding used inverted)
- Low Pressure Venting System
- Heavy Duty Grids
- The battery is designed for high rate usage
- Long Service Life
- Low Self Discharge
- Wide Operating Temperature Range

### Applications

- UPS power supplies
- Emergency lighting equipment
- Precision instrument backup power
- Fire alarms and security systems
- Communications and electric equipment
- Office computers, processors and other office automation equipment
- Emergency power supplies in power generation plants and substations
- Telecommunications
- Various telemeter equipment

**General:** Design for standby power applications

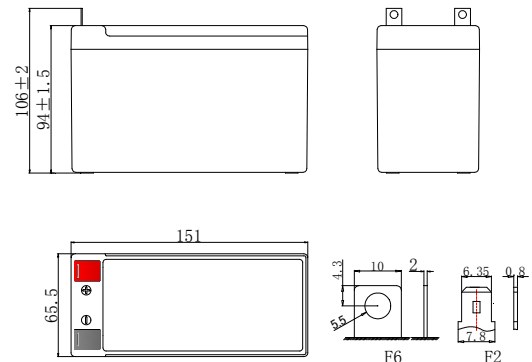
<b>Design Life:</b> Up to 5 years in standby service at 25°C	<b>Float Charging Voltage:</b> 13.5~13.8 VDC/Unit at 25°C
<b>Operating Temperature Range:</b> Nominal operating temperature: 25°C Discharge: -15°C~50°C Charge : -15°C~40°C Storage: -15°C~40°C	<b>Equalization Charging Voltage:</b> 14.4~15.0 VDC/Unit at 25°C <b>Self Discharge:</b> Less than 10% after 90 days, can be stored up to 6 months at 25°C; Fully recharge is required before usage



ISO9001: 2015  
ISO14001:2015  
ISO45001:2018

**Specifications:** Designed according with the IEC61056-1/2:2012

Nominal Voltage	12 V
Nominal Capacity	580W@5 min-rate to 10V per cell 25°C 9.0Ah@20hr,25°C
Weight	Approx. 2.80 ± 3% kg
Internal Resistance	Approx. 10.5mΩ @ full charged 25°C
Terminal	F6 /F2
Max. Discharge Current	130A (5 sec.)
Max. Charge Current	2.7A
Container Material	Standard: ABS (UL94-HB) Optional: Flame Retardant ABS(UL94-V0)



### Constant Current Discharge Characteristics (A, 25°C)

F.V/TIME	3min	5min	10min	15min	20min	30min	60min	90min
9.60V	64.8	53.4	26.8	18.9	15.7	11.5	6.84	3.92
10.0V	63.2	52.0	26.1	18.5	15.3	11.2	6.77	3.88
10.2V	61.6	50.7	25.2	17.7	14.6	11.0	6.57	3.78
10.5V	59.0	48.7	24.5	17.4	14.5	10.7	6.36	3.76

### Constant Power Discharge Characteristics (Watt, 25°C)

F.V/TIME	3min	5min	10min	15min	20min	30min	60min	90min
9.60V	702	580	296	208	172	128	79.2	45.6
10.0V	690	570	295	209	171	127	78.4	45.0
10.2V	680	560	284	199	165	125	76.0	43.9
10.5V	658	543	277	196	163	123	73.7	43.6

Kaiying Power Supply & Electrical Equip Co.,Ltd

Add:Laogang Industrial Area,Chengxiang Town ,Anxi,Quanzhou, Fujian Province ,China

Tel: 0595-68782266 Fax: 0595-68782222

Website: <http://www.longwaybattery.com>

KY-IOP-HR12-580W A0. February2023

Email:[sales@longwaybattery.com](mailto:sales@longwaybattery.com)

NOTE: This information is generally descriptive only and is not intended to make or imply any representation, guarantee or warranty with respect to any cells and batteries. Cell and battery designs/specifications are subject to modification without notice. Contact Long Way for the latest information.