



High Rate Series Battery

6FM8 (12V34W/Cell/1.67V/15Min)

LONG WAY® High Rate battery 6FM8 is design for high rate discharge. This series is a high energy, high intensity, and high quality output electrical energy product series, With 20% more energy density than same volume products at high rate discharge characteristics.



Features

- Maintenance free (no water topping-up required)
- No free acid (Non-spillable battery)
- Can be used in any orientation (excluding used inverted)
- Low Pressure Venting System
- Heavy Duty Grids
- The battery is designed for high rate usage
- Long Service Life
- Low Self Discharge
- Wide Operating Temperature Range

Applications

- UPS power supplies
- Emergency lighting equipment
- Precision instrument backup power
- Fire alarms and security systems
- Communications and electric equipment
- Office computers, processors and other office automation equipment
- Emergency power supplies in power generation plants and substations
- Telecommunications
- Various telemeter equipment

General: Design for standby power applications

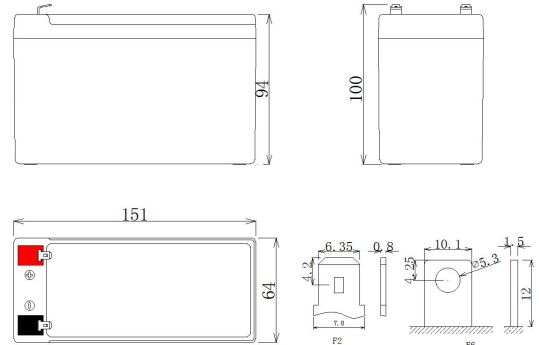
| | |
|---|---|
| Design Life: Up to 5 years in standby service at 25°C | Float Charging Voltage: 13.5~13.8 VDC/Unit at 25°C |
| Operating Temperature Range: Nominal operating temperature: 25°C Discharge: -15°C~50°C Charge : -15°C~40°C Storage: -15°C~40°C | Equalization Charging Voltage: 14.4~15.0 VDC/Unit at 25°C Self Discharge: Less than 10% after 90 days, can be stored up to 6 months at 25°C; Fully recharge is required before usage |



ISO9001: 2015
ISO14001:2015
ISO45001:2018

Specifications: Designed according with the IEC61056-1/2:2012

| | |
|------------------------|---|
| Nominal Voltage | 12 V |
| Nominal Capacity | 34W@15 min-rate to 1.67V per cell 25°C 8.0Ah@20hr,25°C |
| Weight | Approx. 2.55 ± 3% kg |
| Internal Resistance | Approx. 15.2mΩ @ full charged 25°C |
| Terminal | F6/F2 |
| Max. Discharge Current | 80A (3sec.) |
| Max. Charge Current | 2.4A |
| Container Material | Standard: ABS (UL94-HB) Optional: Flame Retardant ABS(UL94-V0) |



Constant Current Discharge Characteristics (A, 25°C)

| F.V/TIME | 3min | 5min | 10min | 15min | 20min | 30min | 60min | 90min |
|----------|------|------|-------|-------|-------|-------|-------|-------|
| 9.60 | 56.0 | 46.6 | 23.0 | 18.4 | 13.1 | 9.2 | 5.60 | 3.48 |
| 10.0 | 54.6 | 45.5 | 22.5 | 18.0 | 12.8 | 9.0 | 5.54 | 3.45 |
| 10.2 | 53.2 | 44.3 | 21.7 | 17.2 | 12.3 | 8.8 | 5.38 | 3.36 |
| 10.5 | 51.0 | 42.5 | 21.1 | 16.9 | 12.1 | 8.6 | 5.21 | 3.34 |

Constant Power Discharge Characteristics (Watt, 25°C)

| F.V/TIME | 5min | 8min | 10min | 15min | 20min | 30min | 60min | 90min |
|----------|------|------|-------|-------|-------|-------|-------|-------|
| 9.60 | 606 | 507 | 254 | 203 | 144 | 102 | 64.8 | 40.5 |
| 10.0 | 596 | 498 | 253 | 203 | 143 | 101 | 64.2 | 40.0 |
| 10.2 | 587 | 489 | 244 | 194 | 138 | 100 | 62.3 | 39.0 |
| 10.5 | 569 | 475 | 238 | 191 | 137 | 98.1 | 60.3 | 38.8 |

Kaiying Power Supply & Electrical Equip Co.,Ltd
Tel: 0595-68782266 Fax: 0595-68782222

Add:Laogang Industrial Area,Chengxiang Town ,Anxi,Quanzhou, Fujian Province ,China
Website: <http://www.longwaybattery.com> Email:sales@longwaybattery.com

KY-IOP-HR12-34W A0. February2023

NOTE: This information is generally descriptive only and is not intended to make or imply any representation, guarantee or warranty with respect to any cells and batteries. Cell and battery designs/specifications are subject to modification without notice. Contact Long Way for the latest information.